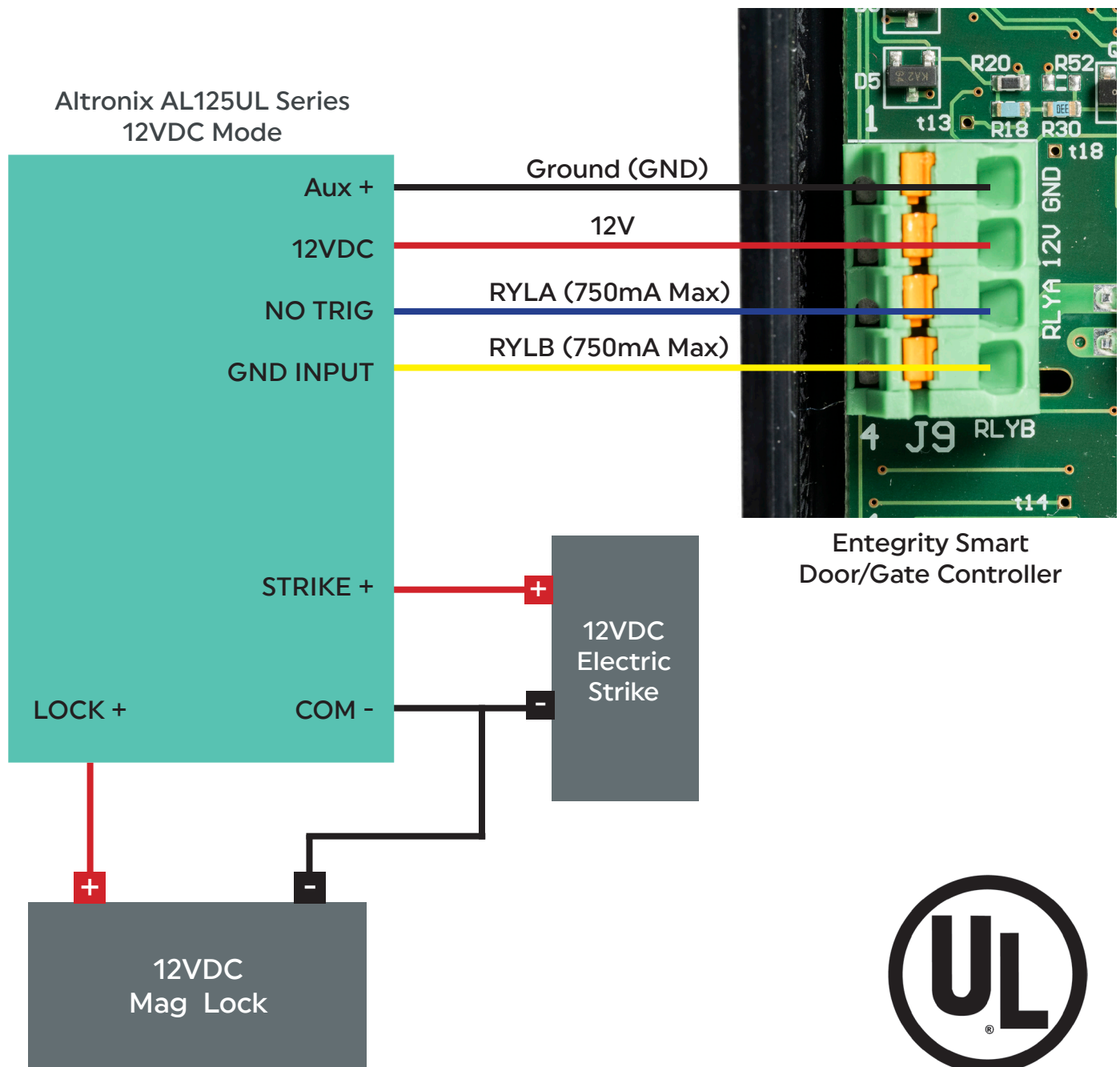




# Door/Gate Controller UL Installation Guide

In some places, the local Authority Having Jurisdiction (AHJ) may require devices directly controlling the electric door locks to be UL rated. They may also require integration with a fire panel so that on alarm, or when a First Responder bypasses the system, all exterior doors unlock.

For these installations we recommend an Altronix AL125UL Series power supply or equivalent and to wire your Electric Strike and/or Mag Lock as follows:



Access Control & Visitor Management for Your Entire Property

**EntegritySmart.com**