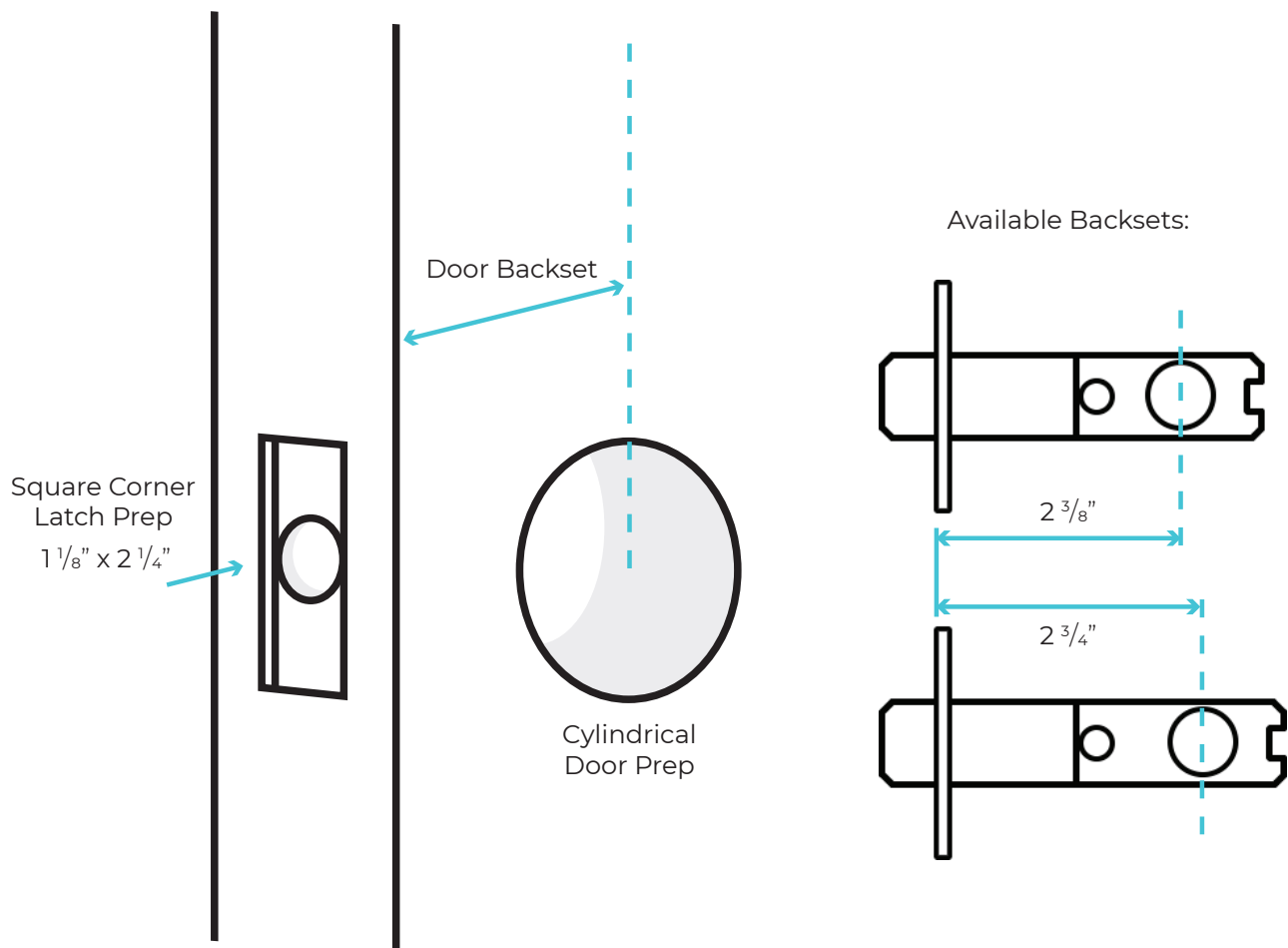




Determine Backset for Entegrity Smart® Lock

Entegrity Smart Lock Specifications:

- Fits doors from 1 3/8" to 2" thick
- Stainless steel latch bolt with 1/2" throw
- Fits standard 2 1/8" cylindrical door prep
- Available with either a 2 3/4" or 2 3/8" backset



Door backset is the measurement from the door edge to the center of the cylindrical door prep or existing door knob.